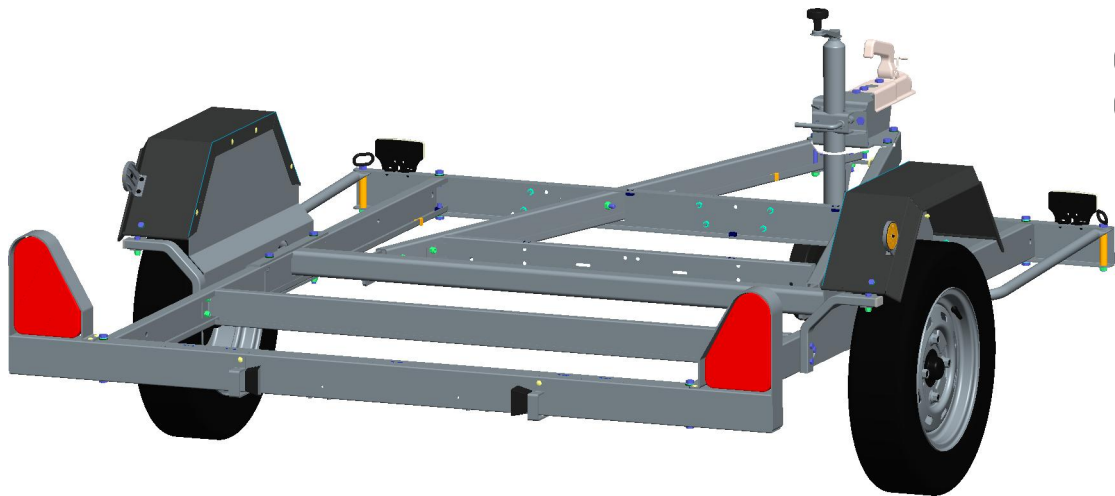
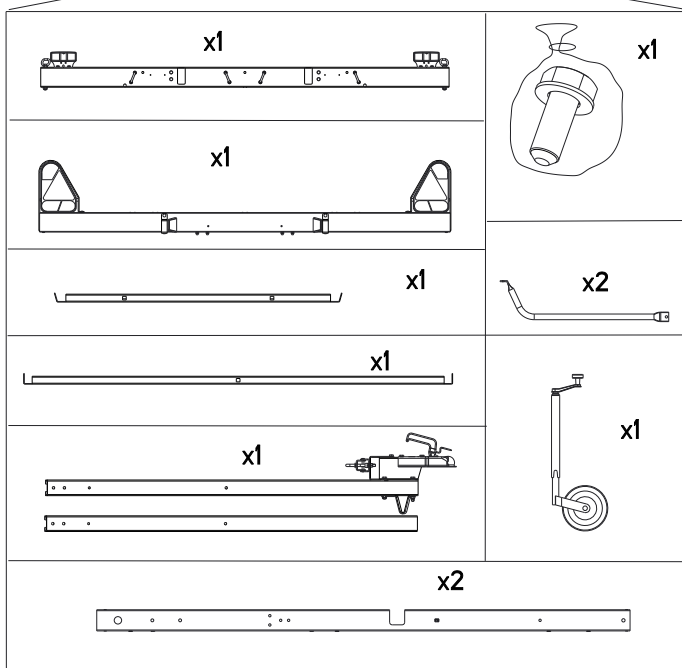


NOTICE DE MONTAGE ASSEMBLY INSTRUCTIONS

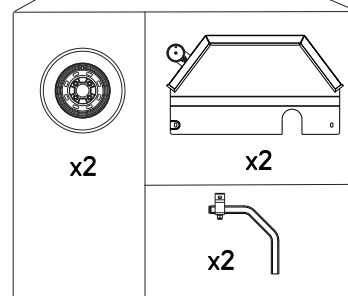
CH451
CH751



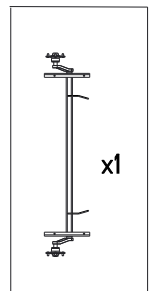
COLIS/PACK
A



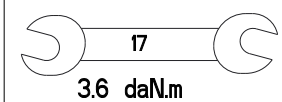
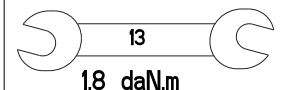
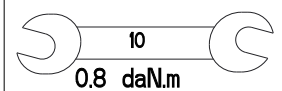
COLIS/PACK
B



ESSIEU
Axle

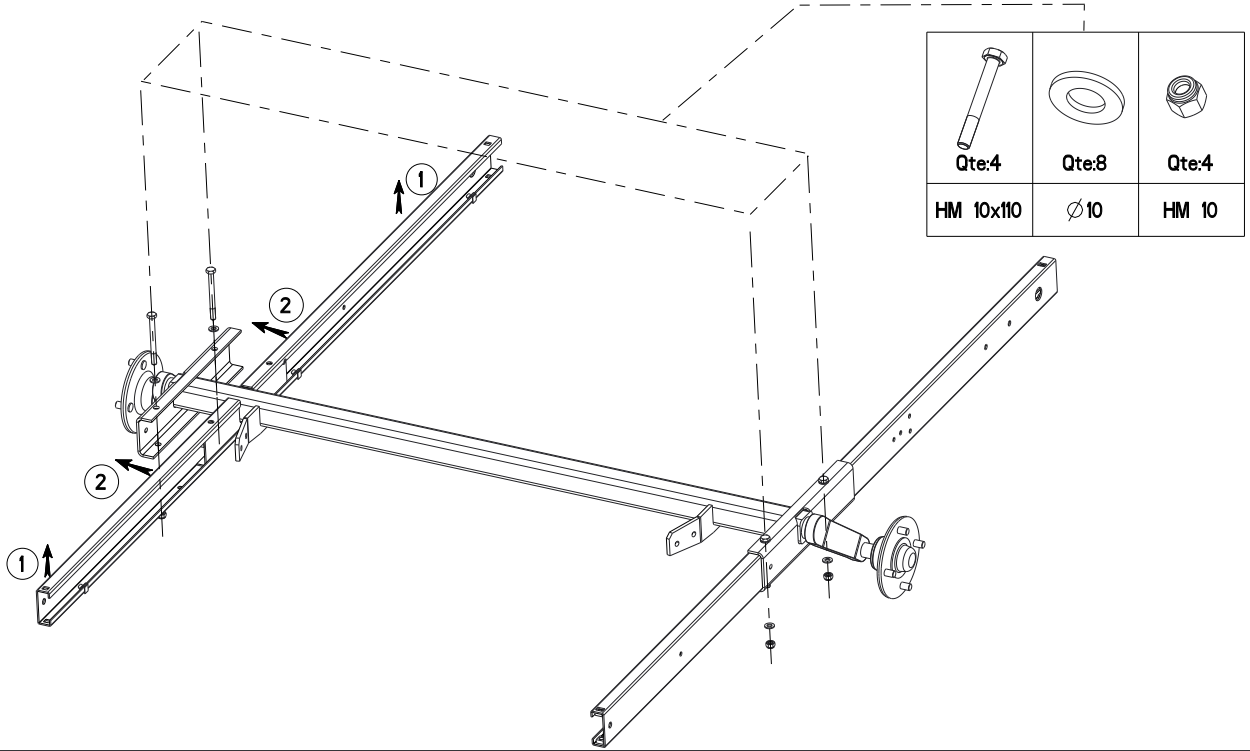


OUTILS NECESSAIRES POUR LE MONTAGE NON FOURNIS
NECESSARY TOOLS FOR ASSEMBLY. NOT PROVIDED

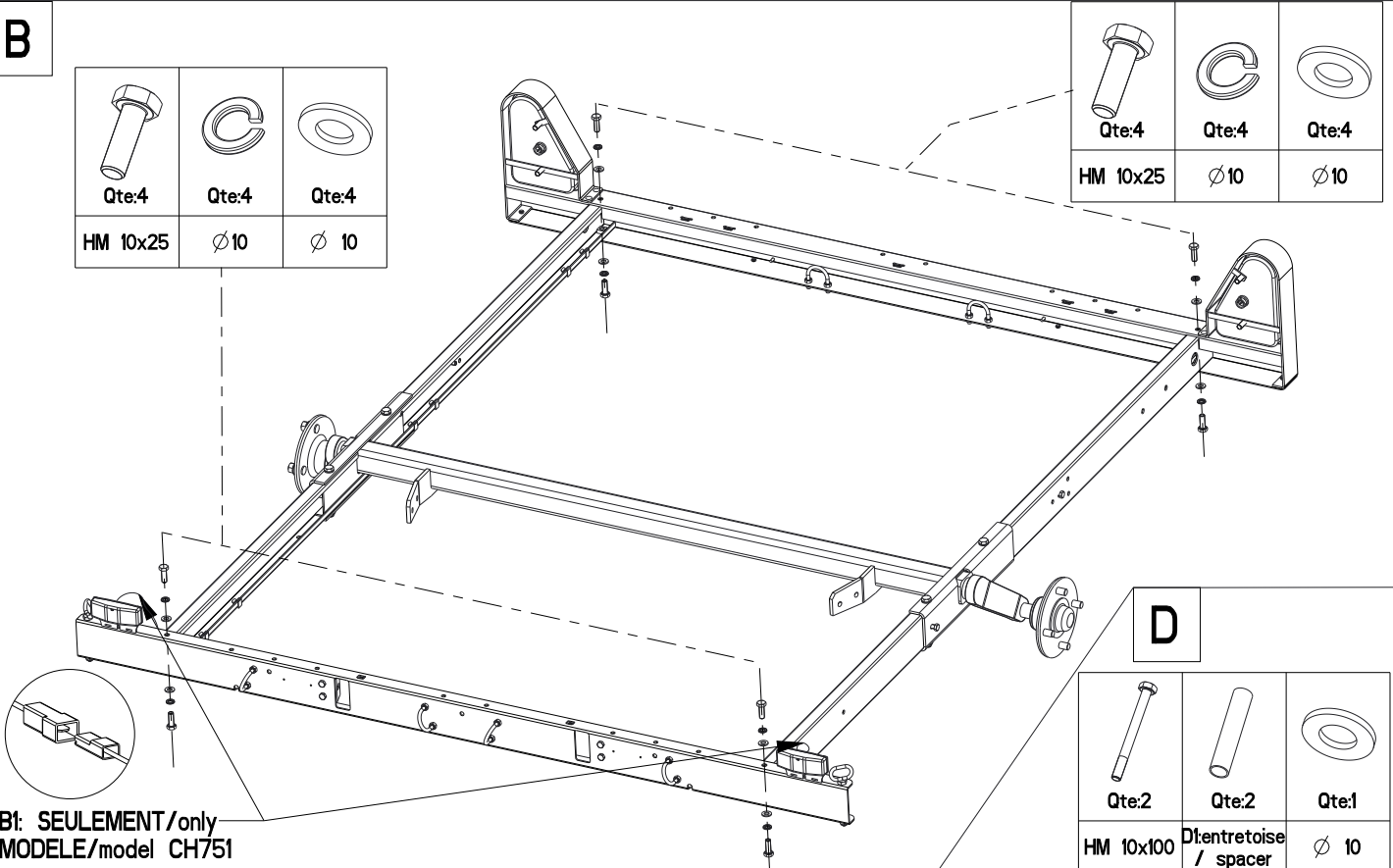


PORTER DES GANTS POUR LE MONTAGE.
IT IS RECOMMENDED TO WEAR GLOVES
FOR ASSEMBLY.

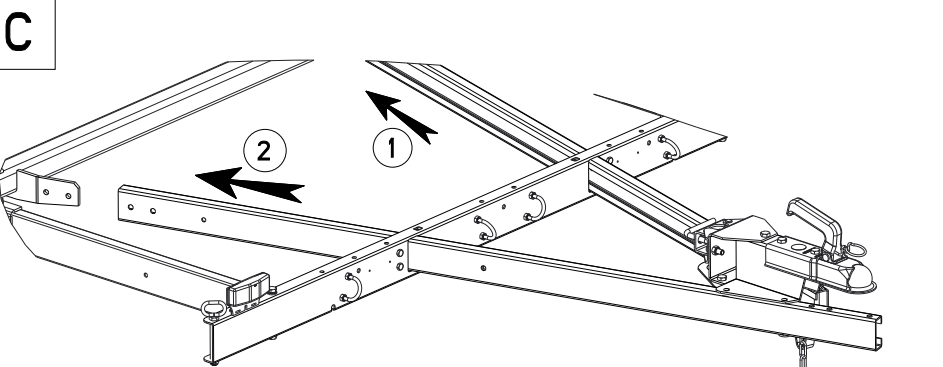
A



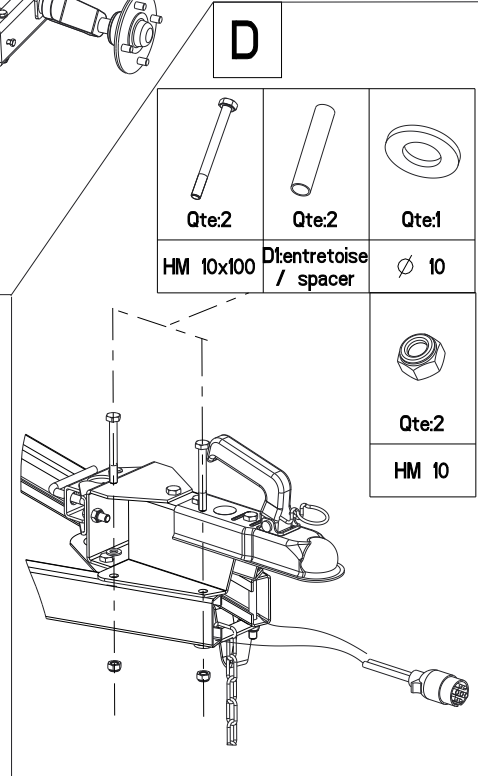
B





C

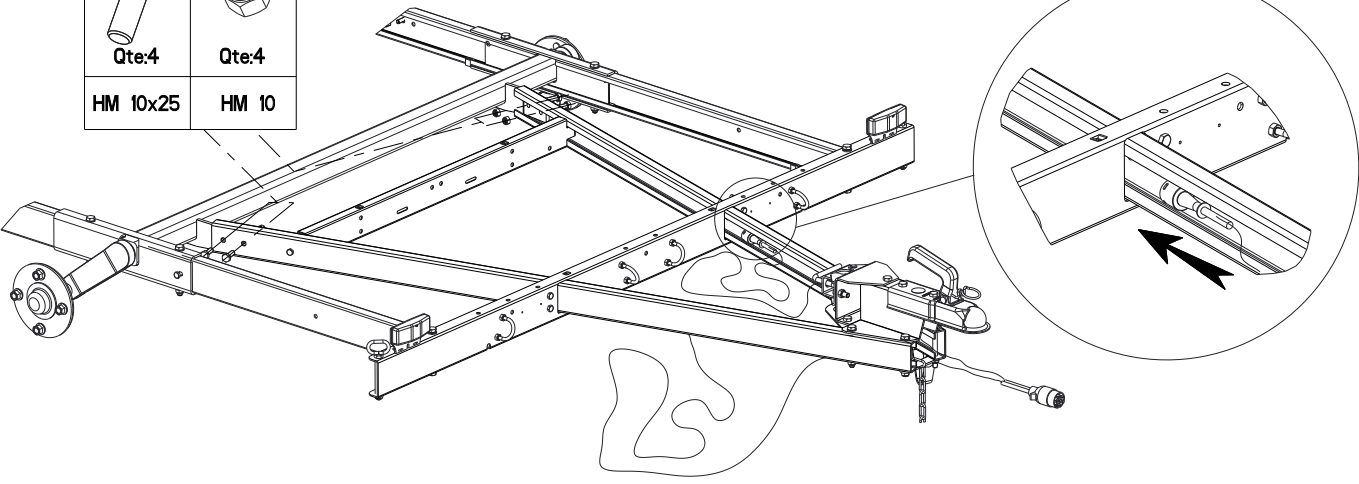


D

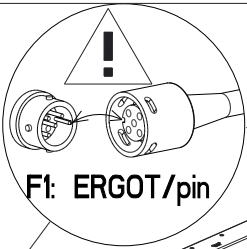


E

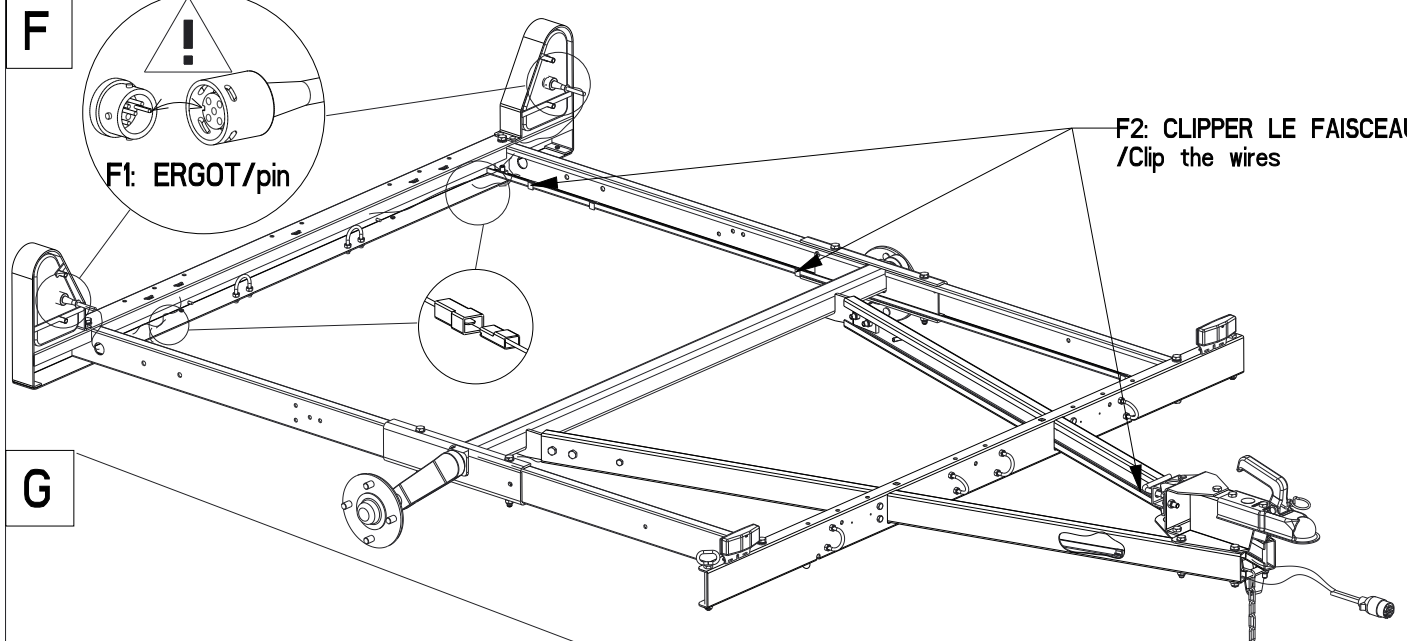
	
Qte:4	Qte:4
HM 10x25	HM 10



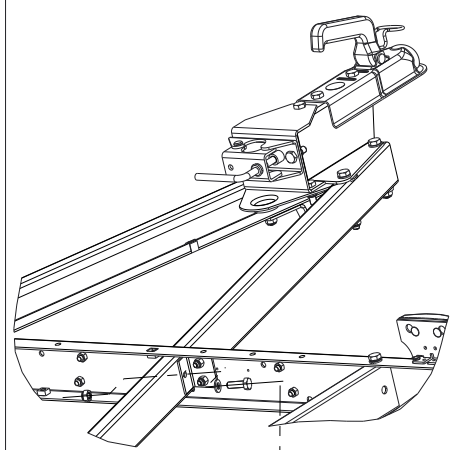
F



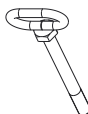


F2: CLIPPER LE FAISCEAU /Clip the wires








G






H

		
Qte:2	Qte:2	Qte:2
HM 10x100	Hentreoise / spacer	HM 10

	
Qte:2	Qte:2
HM 8x25	Ø 8

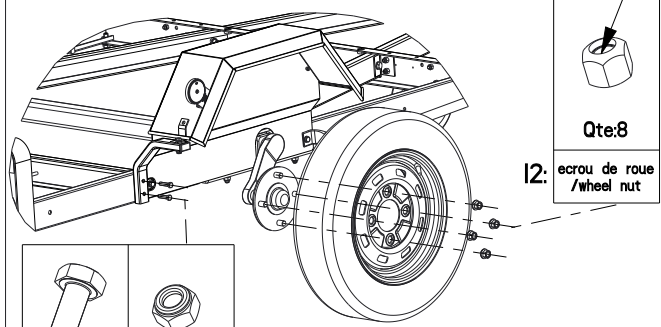
		
Qte:2	Qte:2	Qte:2
HM 8x25	Ø 8	HM 8

		
Qte:2	Qte:2	Qte:2
HM 10x25	Ø 10	HM 10

I

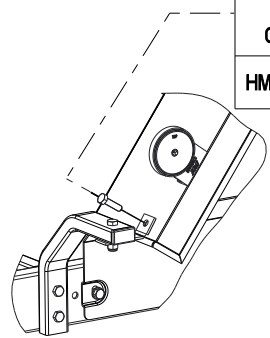


I1: FACE BOMBEE CONTRE LA JANTE
Doomed head against the wheel rim

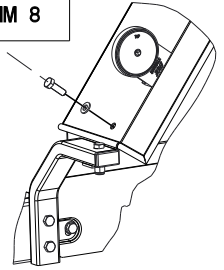


Qte:4	Qte:4
HM 8x35	HM 8

Qte:2	Qte:2	Qte:2
HM 8x25	∅ 8	HM 8

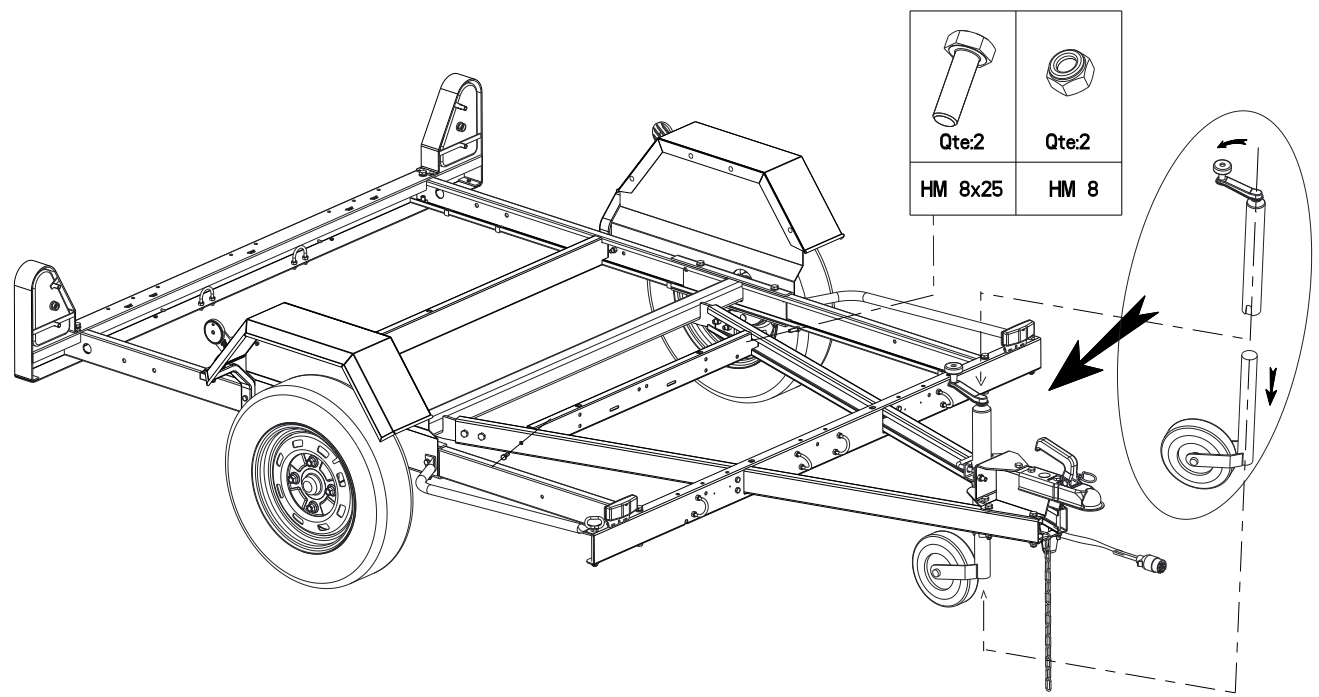


I3: MODELE/model CH451



I4: MODELE/model CH751

J



J1: BLOQUER DEFINITIVEMENT TOUTES LES VIS DE FIXATION
/ Tighten all nuts and bolts of the previous operations



J2: SI MONTAGE PLANCHER BOIS : BLOQUEZ LES VIS DU CHASSIS APRES INSTALLATION DU PLANCHER
If wooden floor is used : tighten nuts and bolts of the frame after wooden floor installation